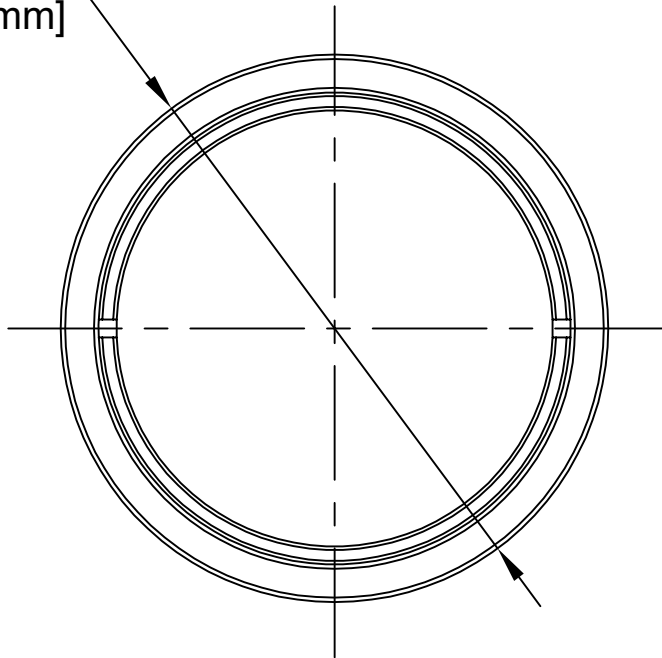
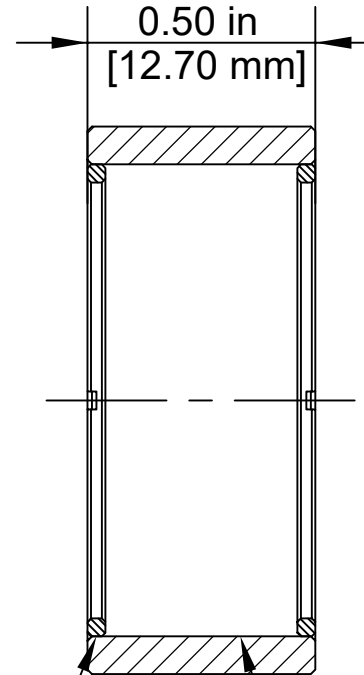




Ø1.20 in  
[Ø30.50 mm]



Retaining Ring 2 PLACES



0.50 in  
[12.70 mm]

SM1(1.035"-40)

FOR INFORMATION ONLY  
NOT FOR MANUFACTURING PURPOSES

**RealOp**

ZTZ-1-0.5

SM1 Internal Threaded  
Lens Tube

Material: Anodized Aluminum