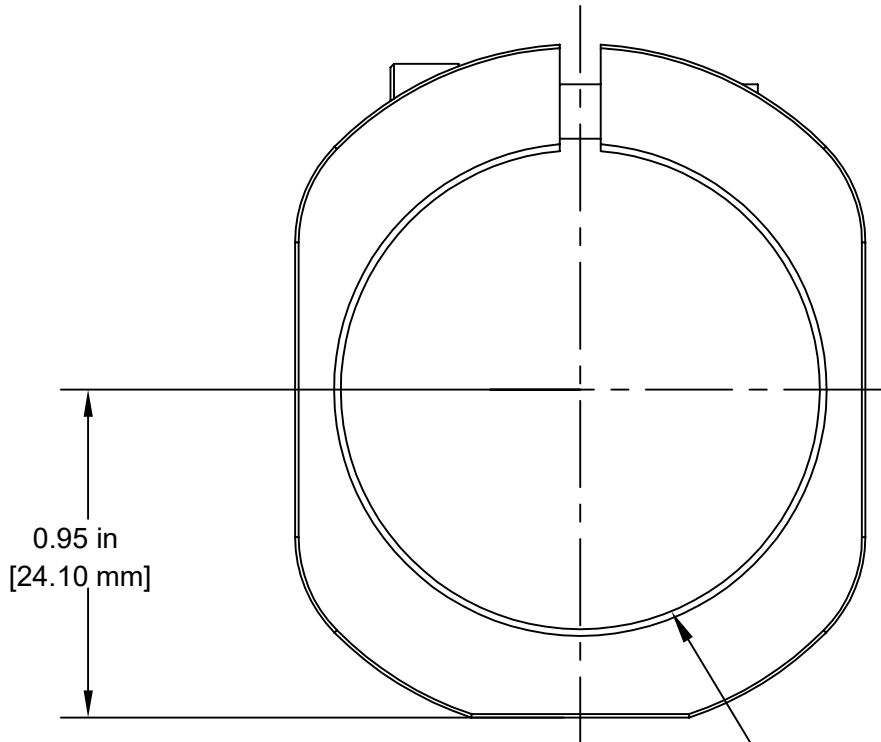
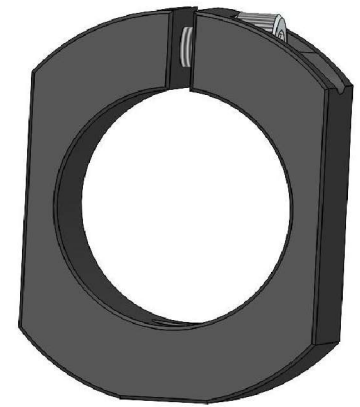
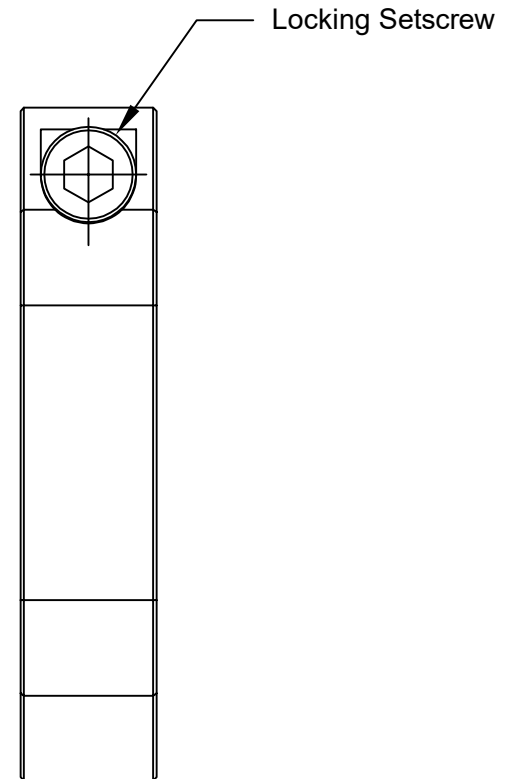


M4 x 0.7 Mounting Hole



Ø1.39in [Ø35.20mm] for
SM30 Lens Tube



FOR INFORMATION ONLY
NOT FOR MANUFACTURING PURPOSES

RealOp
ZTL-Z30
Slip Ring for SM30 Lens Tube
Material: Anodized Aluminum